

Scaled data based on original data using  
LM-79-08 Approved Method: Electrical and Photometric Measurements of Solid-State  
Lighting Products

Test Report Prepared for  
Cooper Lighting Solutions  
(formerly Eaton)

Brand: STREETWORKS

Report Number: P571651

Luminaire Tested: **UFLD-CA2-150-740-U-66-TS2\_UFLD**

Issue Date: 9/21/2021

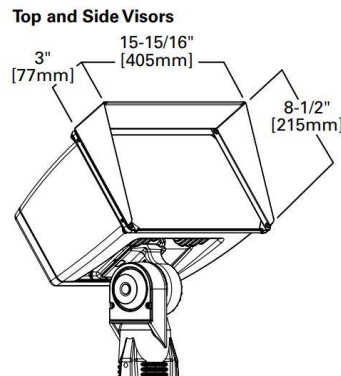
**Test Information**

Test Method: LM-79-08  
Report Number: P571651  
TEST IS SCALED FROM IESNA LM-79-08 TEST DATA (G2-2109-378-4)  
Test Lab: COOPER LIGHTING SOLUTIONS  
Issue Date: 9/21/2021  
Manufacturer: COOPER LIGHTING SOLUTIONS (FORMERLY EATON)  
Product Line: STREETWORKS  
Catalog Number: UFLD-CA2-150-740-U-66-TS2\_UFLD  
Description: FLOOD LIGHT, 6x6 OPTIC WITH TOP AND SIDE VISOR  
Light Source: (2) 4000K CCT, 70 CRI LEDS  
Ballast/Driver: -

**Summary**

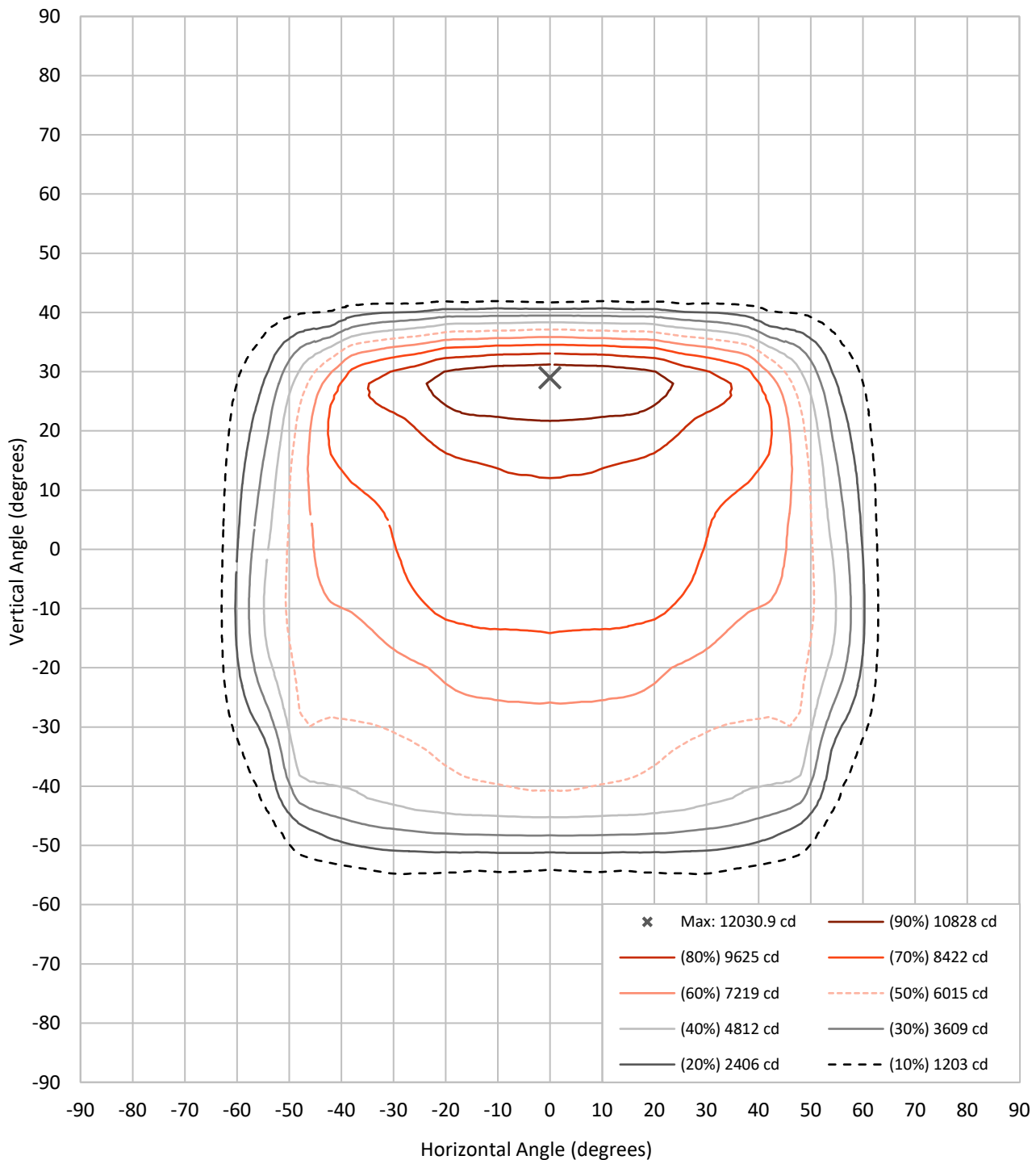
Lumens per Lamp:	N/A	NEMA Type:	6H x 5V
Luminaire Lumens:	19884 lumens	Max Intensity:	12030.9 candela
Efficiency:	N/A	Max Intensity Angle:	0°H x 29°V
Efficacy:	131.4 lumens/watt		
Luminous Opening:	Rectangular (W 1.25' x L: 0.67' x H: 0')		
Beam Angle (50%):	91.9°H x 77.9°V	Field Angle (10%):	119.5°H x 95.8°V
Beam Lumens:	15308.1 lumens	Field Lumens:	19376.2 lumens
Beam Efficiency:	77.0%	Field Efficiency:	97.4%

Input Watts (W): 151.3  
Input Voltage (V): 120  
Input Current (Ain): NR  
Voltage Rise (V): NR  
Power Factor: NR  
Total Harmonic Distortion (THDi): NR  
Frequency (hertz): 60  
Stabilization Time: NR  
Operation Time: NR  
Ambient Temperature (°C): NR  
Test Distance: 25 FT



REPORT NUMBER: P571651  
CATALOG NUMBER: UFLD-CA2-150-740-U-66-TS2\_UFLD

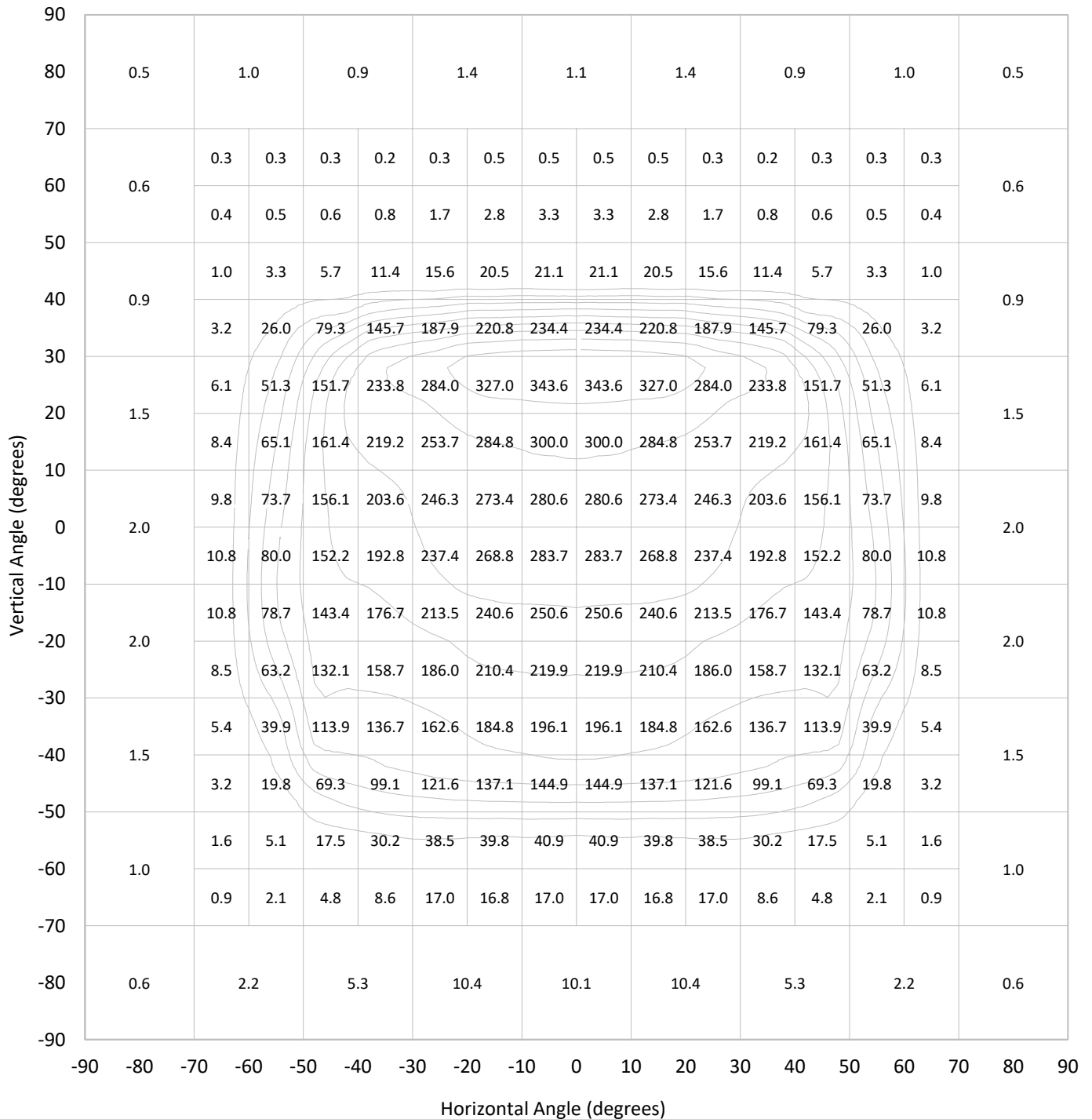
### Iso-Candela Plot





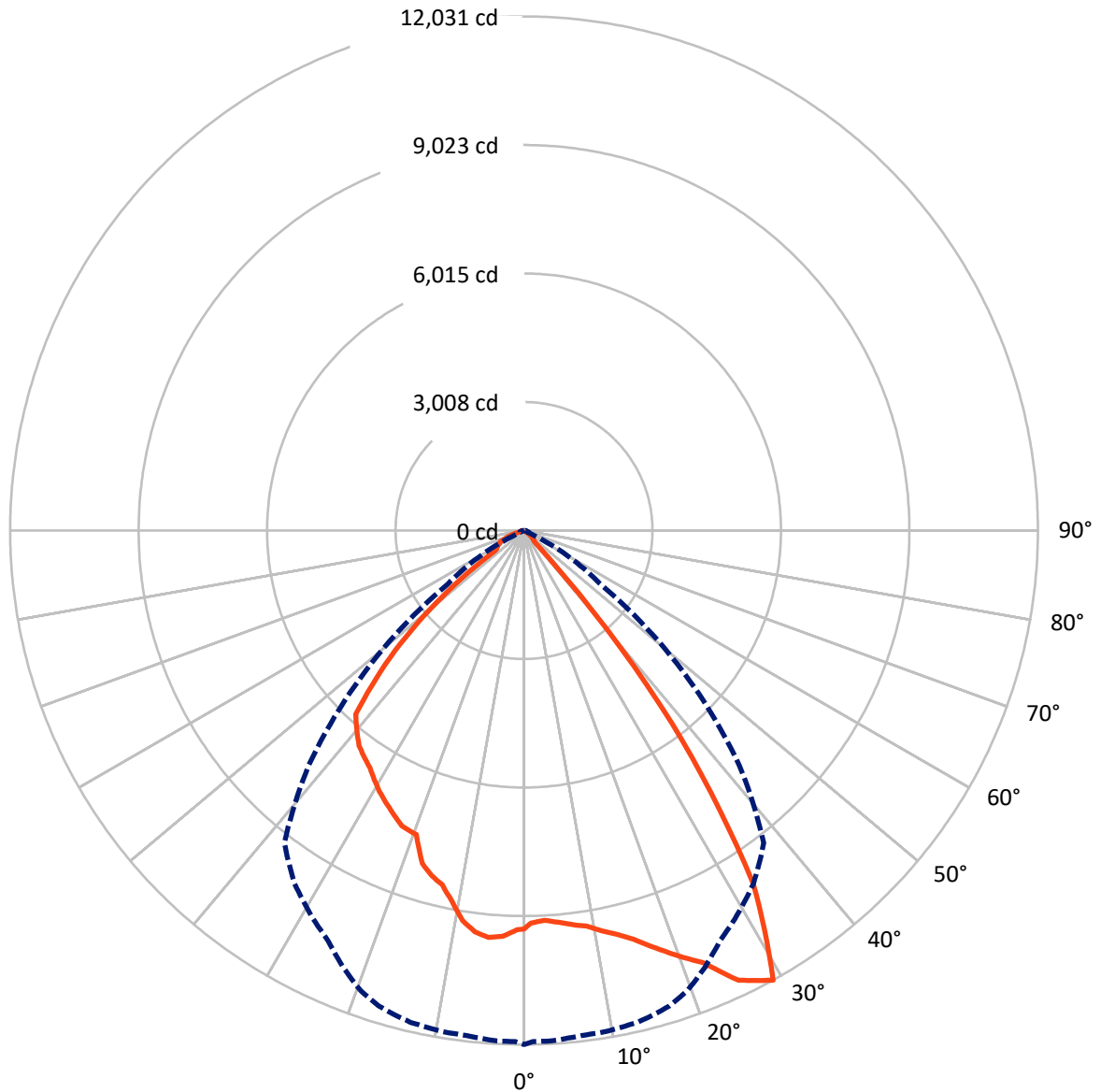
REPORT NUMBER: P571651  
 CATALOG NUMBER: UFLD-CA2-150-740-U-66-TS2\_UFLD

### Lumen Table



REPORT NUMBER: P571651  
CATALOG NUMBER: UFLD-CA2-150-740-U-66-TS2\_UFLD

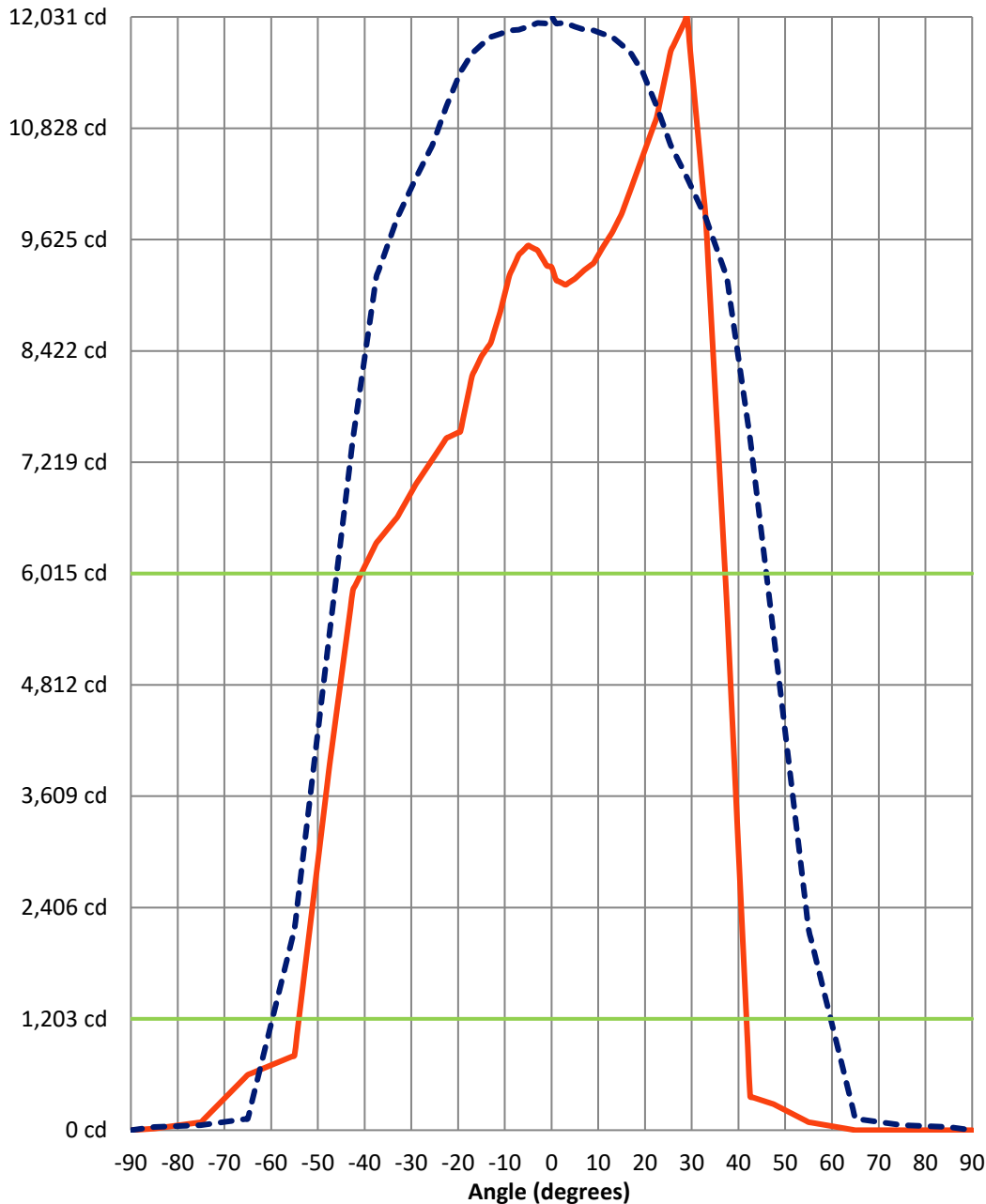
### Luminous Intensity Polar Plot



— Vertical Distribution Through 0-Deg      - - - Horizontal Distribution Through 29-Deg

REPORT NUMBER: P571651  
 CATALOG NUMBER: UFLD-CA2-150-740-U-66-TS2\_UFLD

### Luminous Intensity Plot



**Beam:**  
 H Angle: 91.9°  
 V Angle: 77.9°  
 Lumens: 15308.1  
 Efficiency: 77.0%

**Field:**  
 H Angle: 119.5°  
 V Angle: 95.8°  
 Lumens: 19376.2  
 Efficiency: 97.4%

**Spill:**  
 Lumens: 507.8  
 Efficiency: 2.6%

- Vertical Distribution through 0-Deg
- - - Horizontal Distribution through 29-Deg



REPORT NUMBER: P571651  
 CATALOG NUMBER: UFLD-CA2-150-740-U-66-TS2\_UFLD

FIELD  
 BEAM

**CANDELA DISTRIBUTION:**

	0°	1°	3°	5°	7°	9°	11°	13°	15°	17°	19.5°
90°	0.0	0.0	0.0	0.0	0.0	0.0	0.0	0.0	0.0	0.0	0.0
85°	0.0	5.4	13.6	17.2	18.1	19.9	19.9	21.7	21.7	20.8	19.9
75°	0.0	1.8	5.4	8.1	10.0	11.8	12.7	12.7	12.7	11.8	11.8
65°	0.0	0.9	3.6	5.4	7.2	8.1	8.1	9.0	9.0	9.0	8.1
55°	86.9	89.6	87.8	86.9	86.9	85.1	81.4	76.0	69.7	70.6	66.1
47.5°	281.4	278.7	279.6	277.8	275.1	266.9	262.4	258.8	256.1	255.2	243.4
42.5°	363.7	375.5	409.9	483.2	561.0	644.3	648.8	585.4	508.5	424.4	590.9
37.5°	5690.6	5778.4	5662.5	5631.8	5478.9	5511.4	5484.3	5398.3	5392.0	5440.9	5381.1
33°	9850.2	9882.8	9822.1	9805.9	9774.2	9774.2	9739.8	9586.0	9474.7	9405.9	9384.2
29°	12030.9	11960.3	11964.8	11925.0	11892.4	11884.3	11847.2	11813.7	11729.6	11636.4	11432.8
25.5°	11659.9	11623.7	11640.9	11574.8	11563.1	11514.2	11518.7	11473.5	11412.0	11315.1	11098.0
22.5°	10944.2	10948.7	10946.0	10911.6	10898.9	10854.6	10801.2	10791.2	10785.8	10715.2	10556.9
19.5°	10525.2	10480.9	10465.5	10488.1	10450.1	10394.0	10333.4	10292.7	10243.8	10223.9	10165.1
17°	10175.9	10128.9	10149.7	10117.1	10091.8	10018.5	9954.2	9899.1	9873.7	9838.4	9752.5
15°	9902.7	9865.6	9859.2	9834.8	9853.8	9764.2	9726.2	9679.2	9627.6	9576.0	9506.3
13°	9702.7	9711.7	9696.4	9632.1	9661.1	9589.6	9542.5	9482.8	9439.4	9392.3	9353.4
11°	9543.4	9555.2	9493.7	9491.0	9504.5	9411.3	9397.8	9328.1	9303.7	9308.2	9204.1
9°	9370.6	9396.9	9418.6	9389.6	9368.8	9331.7	9310.0	9284.7	9238.5	9245.8	9219.5
7°	9293.7	9272.0	9266.6	9308.2	9275.6	9240.3	9203.2	9216.8	9225.8	9251.2	9219.5
5°	9201.4	9214.1	9222.2	9196.9	9192.4	9205.9	9182.4	9209.6	9217.7	9398.7	9454.8
3°	9135.4	9182.4	9158.0	9127.2	9148.9	9169.7	9218.6	9223.1	9310.9	9416.8	9447.5
1°	9186.0	9219.5	9222.2	9222.2	9243.9	9310.9	9316.3	9343.5	9407.7	9452.1	9476.5
0°	9328.1	9307.3	9319.9	9300.9	9353.4	9387.8	9392.3	9370.6	9417.7	9567.9	9567.9
-1°	9342.6	9351.6	9388.7	9398.7	9385.1	9427.6	9361.6	9367.0	9389.6	9478.3	9395.1
-3°	9508.2	9510.9	9506.3	9510.0	9488.3	9476.5	9430.3	9393.2	9339.9	9255.7	9185.1
-5°	9560.6	9567.0	9543.4	9532.6	9483.7	9405.0	9380.6	9317.2	9230.4	9136.3	9068.4
-7°	9459.3	9461.1	9385.1	9405.9	9325.4	9234.9	9172.5	9084.7	9022.3	8930.9	8863.0
-9°	9238.5	9205.9	9153.5	9137.2	9061.2	8949.9	8864.8	8798.8	8767.1	8713.7	8729.1
-11°	8838.6	8812.3	8815.0	8770.7	8712.8	8663.9	8622.3	8595.2	8576.2	8553.5	8521.0
-13°	8509.2	8495.6	8450.4	8464.0	8435.0	8445.0	8454.0	8443.2	8420.5	8390.7	8343.6
-15°	8361.7	8350.9	8330.9	8315.6	8312.9	8312.9	8309.2	8304.7	8284.8	8210.6	8138.2
-17°	8150.9	8123.7	8121.9	8117.4	8107.5	8112.9	8102.0	8083.0	8077.6	8027.8	7957.2
-19.5°	7551.0	7564.5	7562.7	7582.6	7560.9	7598.0	7611.6	7612.5	7584.4	7552.8	7494.0
-22.5°	7477.7	7436.1	7441.5	7453.2	7432.4	7424.3	7420.7	7424.3	7396.2	7359.1	7264.1
-25.5°	7247.8	7264.1	7265.0	7241.5	7245.1	7248.7	7206.2	7203.5	7175.5	7134.7	7031.6
-29°	6982.7	6992.7	6970.1	6971.9	6933.9	6917.6	6867.8	6838.9	6792.7	6765.6	6665.1
-33°	6625.3	6647.9	6627.1	6620.8	6583.7	6554.7	6513.1	6492.3	6419.0	6352.9	6277.8
-37.5°	6344.8	6319.5	6313.1	6325.8	6276.9	6260.7	6220.8	6186.5	6134.9	6070.6	5975.6
-42.5°	5834.5	5867.0	5855.3	5818.2	5797.4	5735.8	5711.4	5680.6	5660.7	5650.8	5543.1
-47.5°	3944.2	3961.4	3956.0	3943.3	3929.8	3924.3	3898.1	3877.3	3872.8	3856.5	3804.9
-55°	807.1	827.9	843.3	881.3	897.6	921.1	899.4	858.7	851.5	936.5	929.3
-65°	598.1	595.4	592.7	590.0	585.4	583.6	588.2	591.8	589.1	600.8	624.3
-75°	86.0	85.1	87.8	88.7	82.3	82.3	95.9	93.2	96.8	96.8	97.7
-85°	17.2	15.4	17.2	25.3	26.2	29.9	32.6	35.3	36.2	36.2	36.2
-90°	0.0	0.0	0.0	0.0	0.0	0.0	0.0	0.0	0.0	0.0	0.0



REPORT NUMBER: P571651  
 CATALOG NUMBER: UFLD-CA2-150-740-U-66-TS2\_UFLD

**CANDELA DISTRIBUTION (continued):**

	22.5°	25.5°	29°	33°	37.5°	42.5°	47.5°	55°	65°	75°	85°
90°	0.0	0.0	0.0	0.0	0.0	0.0	0.0	0.0	0.0	0.0	0.0
85°	18.1	16.3	14.5	12.7	10.9	11.8	13.6	17.2	24.4	28.1	30.8
75°	10.9	10.0	9.0	9.0	9.0	10.9	12.7	16.3	23.5	27.1	31.7
65°	8.1	7.2	6.3	6.3	6.3	8.1	12.7	17.2	24.4	28.1	31.7
55°	59.7	43.4	24.4	25.3	25.3	26.2	27.1	22.6	28.1	30.8	32.6
47.5°	207.2	146.6	88.7	69.7	69.7	60.6	52.5	39.8	51.6	33.5	32.6
42.5°	580.9	266.0	427.1	456.9	396.3	177.4	233.5	265.1	66.1	38.0	33.5
37.5°	4941.4	4731.5	4449.1	4213.9	3674.6	2319.1	2097.4	922.0	78.7	43.4	33.5
33°	9053.9	8568.9	8332.8	7844.1	7468.6	5466.2	4218.4	1569.0	103.2	48.9	34.4
29°	11063.6	10644.6	10291.8	9858.3	9218.6	7468.6	5369.4	2170.7	124.0	54.3	34.4
25.5°	10763.2	10423.0	10080.9	9760.6	9416.8	8246.8	6077.9	2605.1	143.9	60.6	34.4
22.5°	10251.0	9879.1	9562.4	9374.2	9179.7	8502.0	6456.1	2908.2	162.9	67.0	35.3
19.5°	9862.0	9530.8	9240.3	9048.5	9031.3	8547.2	6666.9	3154.3	185.5	77.8	35.3
17°	9509.1	9236.7	9004.2	8916.4	8959.8	8429.6	6820.8	3357.9	206.3	85.1	35.3
15°	9271.1	9056.6	8868.4	8847.6	8818.7	8296.6	6935.7	3530.7	223.5	88.7	35.3
13°	9163.4	8974.3	8827.7	8807.8	8640.4	8140.0	6998.1	3689.1	237.1	91.4	35.3
11°	9037.6	8911.9	8834.9	8677.5	8443.2	7942.8	7002.6	3826.6	250.6	95.9	35.3
9°	9059.4	8895.6	8773.4	8526.4	8250.4	7843.2	7002.6	3951.5	247.9	98.6	35.3
7°	9069.3	8916.4	8663.9	8376.2	8099.3	7744.6	7020.7	4075.4	236.2	102.2	35.3
5°	9116.4	8894.7	8609.6	8258.6	7975.3	7674.0	6961.9	4202.1	231.6	105.0	35.3
3°	9119.1	8892.9	8587.0	8141.8	7888.5	7607.1	6954.7	4310.7	230.7	105.9	36.2
1°	9121.8	8883.8	8516.4	8026.0	7814.3	7573.6	6944.7	4432.0	233.5	105.9	36.2
0°	9108.2	8843.1	8486.6	7997.1	7768.1	7548.3	6956.5	4496.2	235.3	104.1	36.2
-1°	9092.8	8787.9	8413.3	7956.3	7732.8	7538.3	6943.8	4559.5	235.3	103.2	36.2
-3°	8979.7	8697.4	8344.5	7918.3	7671.3	7478.6	6896.8	4668.1	242.5	103.2	36.2
-5°	8862.1	8596.1	8271.2	7816.1	7596.2	7405.3	6909.4	4732.4	246.1	103.2	36.2
-7°	8745.4	8467.6	8168.1	7770.8	7485.8	7294.9	6876.0	4815.6	247.0	102.2	36.2
-9°	8555.4	8314.7	7996.2	7605.3	7341.9	7213.5	6864.2	4857.2	248.8	102.2	36.2
-11°	8395.2	8109.3	7821.5	7460.5	7202.6	7078.6	6808.1	4851.8	250.6	101.3	36.2
-13°	8171.7	7916.5	7655.0	7314.8	7083.2	6924.8	6751.1	4819.2	249.7	102.2	36.2
-15°	7969.9	7720.2	7456.9	7189.9	6949.2	6761.9	6666.0	4745.0	249.7	102.2	36.2
-17°	7765.4	7523.8	7276.8	7019.8	6815.3	6666.0	6602.7	4604.8	247.9	101.3	36.2
-19.5°	7307.6	7123.9	6970.1	6829.8	6657.9	6483.2	6503.2	4350.5	241.6	101.3	36.2
-22.5°	7076.8	6889.5	6733.0	6591.8	6456.1	6283.3	6398.2	3965.1	231.6	99.5	36.2
-25.5°	6867.8	6687.7	6526.7	6386.4	6294.1	6188.3	6303.2	3465.6	221.7	97.7	36.2
-29°	6514.0	6365.6	6232.6	6093.3	6019.1	5974.7	6151.2	2797.8	214.4	94.1	35.3
-33°	6120.4	5993.7	5863.4	5675.2	5595.6	5596.5	5793.8	1961.7	209.9	88.7	35.3
-37.5°	5843.5	5703.3	5508.7	5300.6	5154.9	5181.2	5221.0	1534.6	212.6	80.5	35.3
-42.5°	5399.2	5324.1	5088.9	4885.3	4619.3	4349.6	3947.9	1146.4	186.4	67.0	35.3
-47.5°	3775.0	3666.4	3566.9	3453.8	3206.8	2760.7	2110.1	453.3	166.5	52.5	35.3
-55°	985.4	973.6	1037.0	953.7	780.9	582.7	507.6	173.7	125.8	45.2	35.3
-65°	678.6	704.9	553.8	368.3	186.4	158.3	247.0	94.1	68.8	39.8	34.4
-75°	95.0	85.1	67.0	70.6	74.2	69.7	63.3	38.9	38.9	36.2	33.5
-85°	35.3	33.5	32.6	31.7	29.9	28.1	28.1	29.0	32.6	35.3	33.5
-90°	0.0	0.0	0.0	0.0	0.0	0.0	0.0	0.0	0.0	0.0	0.0





REPORT NUMBER: P571651  
CATALOG NUMBER: UFLD-CA2-150-740-U-66-TS2\_UFLD

**CANDELA DISTRIBUTION (continued):**

	90°
90°	0.0
85°	0.0
75°	0.0
65°	0.0
55°	0.0
47.5°	0.0
42.5°	0.0
37.5°	0.0
33°	0.0
29°	0.0
25.5°	0.0
22.5°	0.0
19.5°	0.0
17°	0.0
15°	0.0
13°	0.0
11°	0.0
9°	0.0
7°	0.0
5°	0.0
3°	0.0
1°	0.0
0°	0.0
-1°	0.0
-3°	0.0
-5°	0.0
-7°	0.0
-9°	0.0
-11°	0.0
-13°	0.0
-15°	0.0
-17°	0.0
-19.5°	0.0
-22.5°	0.0
-25.5°	0.0
-29°	0.0
-33°	0.0
-37.5°	0.0
-42.5°	0.0
-47.5°	0.0
-55°	0.0
-65°	0.0
-75°	0.0
-85°	0.0
-90°	0.0

(END OF REPORT)